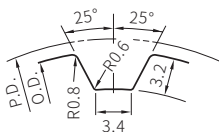


RoHS



| Type | 皮帶寬度 | | | | | | 材質 | | 處理 | 附屬品 固定螺絲材質 |
|------|------------------|------------------|------------------|------------------|------------------|------------------|-------|------|------|----------------|
| | 15.0mm T10150 | 20.0mm T10200 | 25.0mm T10250 | 30.0mm T10300 | 40.0mm T10400 | 50.0mm T10500 | 皮帶輪 | 法蘭 | | |
| BBSW | ○ | ○ | ○ | ○ | ○ | ○ | 鋁合金 | 鋁合金 | 白陽極 | SUS304 |
| BBST | ○ | ○ | ○ | ○ | ○ | ○ | | | 黑陽極 | |
| BBSF | ○ | ○ | ○ | ○ | ○ | ○ | | | 硬陽極 | |
| BBSM | ○ | ○ | ○ | ○ | ○ | ○ | | | 無電解鍍 | |
| BBSB | ○ | ○ | ○ | ○ | ○ | ○ | | | - | |
| BBSN | ○ | ○ | ○ | ○ | ○ | ○ | ~S45C | SPCC | 染黑 | SCM435 (染黑) |
| BBS | ○ | ○ | ○ | ○ | ○ | ○ | | | 無電解鍍 | |

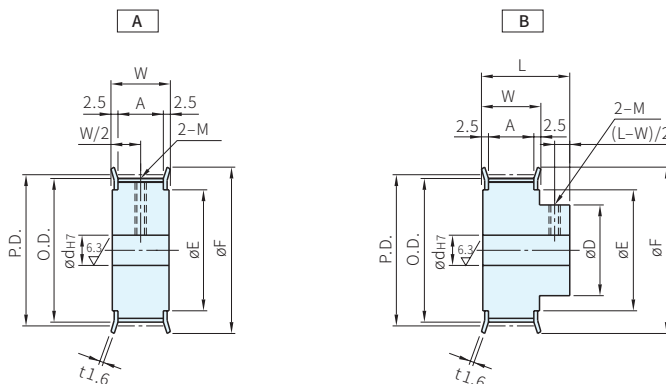


(Pitch=10.0mm)

攻牙孔尺寸表

(軸孔:P·N)

| dH7 軸孔內徑 | M 粗螺紋 | 附屬品 固定螺絲 |
|-------------|----------|-------------|
| 8~12 | M4 | M4 |
| 13~17 | M5 | M5 |
| 18~30 | M6 | M6 |
| 31~45 | M8 | M8 |
| 46~70 | M10 | M10 |



齒數

| mm | 12 | 14 | 15 | 16 | 18 | 20 | 22 | 24 | 25 | 26 | 28 | 30 | 32 | 34 | 36 | 40 | 44 | 48 | 50 |
|------|-------|-------|-------|-------|-------|-------|-------|-------|-------|-------|-------|-------|--------|--------|--------|--------|--------|--------|--------|
| P.D. | 38.20 | 44.56 | 47.75 | 50.93 | 57.30 | 63.66 | 70.03 | 76.39 | 79.58 | 82.76 | 89.13 | 95.49 | 101.86 | 108.23 | 114.59 | 127.32 | 140.06 | 152.79 | 159.15 |
| O.D. | 36.35 | 42.70 | 45.90 | 49.05 | 55.45 | 61.80 | 68.15 | 74.55 | 77.70 | 80.90 | 87.25 | 93.65 | 100.00 | 106.40 | 112.75 | 125.45 | 138.20 | 150.95 | 157.30 |
| D | - | 32 | 33 | 37 | 40 | 47 | 50 | 60 | 63 | 63 | 70 | 75 | 85 | 90 | 95 | 100 | 100 | 100 | 100 |
| F | 40 | 48 | 52 | 58 | 61 | 67 | 80 | 87 | 87 | 87 | 95 | 104 | 111 | 115 | 123 | 135 | 152 | 160 | 170 |
| E | 27 | 35 | 36 | 40 | 45 | 50 | 60 | 67 | 67 | 67 | 75 | 84 | 90 | 95 | 102 | 115 | 130 | 140 | 150 |

Wa 注意

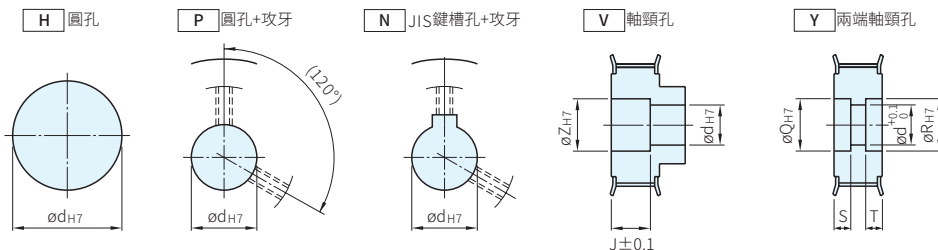
· 軸孔規格為P、N時，附攻牙孔和固定螺絲

軸孔規格

- 請從下表選出軸孔規格符號與各尺寸
- 軸孔內有可能沒有做表面處理

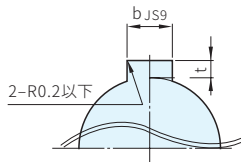
皮帶寬度

| mm | No. | | | | | |
|-----------|--------|--------|--------|--------|--------|--------|
| | T10150 | T10200 | T10250 | T10300 | T10400 | T10500 |
| A | 17 | 22 | 27 | 32 | 43 | 53 |
| W | 22 | 27 | 32 | 37 | 48 | 58 |
| L 齒數12~40 | 37 | 42 | 47 | 52 | 61 | 70 |
| L 齒數44~50 | 37 | 42 | 52 | 57 | 63 | 70 |



鍵槽尺寸表

| 軸孔 | | | 鍵槽 | | | |
|----|-------|--------|----|---------|-----|-----------|
| 規格 | 軸孔 | 公差 | b | js9 | t | 公差 |
| N | 8 | +0.015 | 3 | ±0.0125 | 1.4 | +0.1 0 |
| N | 10 | 0 | | | | |
| N | 11~12 | +0.018 | 4 | ±0.0150 | 1.8 | |
| N | 13~17 | | 5 | | 2.3 | |
| N | 18 | | 6 | | 2.8 | |
| N | 19~22 | +0.021 | 6 | ±0.0150 | 3.3 | |
| N | 23~30 | 0 | 8 | | | |
| N | 31 | +0.025 | 10 | ±0.0180 | 3.3 | |



| 型式 | | | 皮帶輪 形狀 | 皮帶輪形狀 | | | | | | | | | | | | | | |
|------------------------------|----|-----------------|-----------|------------|-------|-------|-------|-------|-----------------|------------|-------|-------------------|-------|-------|-------|-------|-------|------------|
| | | | | A | | | | | | B | | | | | | | | |
| Type | 齒數 | 皮帶 寬度 No. | A | (~)指定單位1mm | | | | | | (~)指定單位1mm | | | | | | | | |
| | | | | H | P | N | V | | | Y | | | H | P | N | V | | |
| | | | | d | d | d | d | Z | J 0.1mm | Y | Q·R | S·T 0.1mm | d | d | d | d | Z | J 0.1mm |
| BBSW BBST BBSF BBSM | 12 | T10150 | A | 8-23 | 8-18 | 8-18 | 8-21 | 10-23 | 3.0 ≤ J ≤ W-3.0 | 8-21 | 10-23 | 3-17 S+T ≤ W-3 | - | - | - | - | - | - |
| | 14 | | 10-31 | 10-26 | 10-26 | 10-29 | 12-31 | 10-29 | | 12-31 | 10-28 | | 10-22 | 10-20 | 10-26 | 12-28 | | |
| | 15 | | 10-32 | 10-26 | 10-26 | 10-30 | 12-32 | 10-30 | | 12-32 | 10-29 | | 10-23 | 10-20 | 10-27 | 12-29 | | |
| | 16 | | 12-36 | 12-30 | 12-30 | 12-34 | 14-36 | 12-34 | | 14-36 | 12-33 | | 12-27 | 12-22 | 12-31 | 14-33 | | |
| | 18 | | 12-41 | 12-30 | 12-30 | 12-39 | 14-41 | 12-39 | | 14-41 | 12-36 | | 12-30 | 12-25 | 12-34 | 14-36 | | |
| | 20 | | 12-46 | 12-40 | 12-40 | 12-44 | 14-46 | 12-44 | | 14-46 | 12-43 | | 12-35 | 12-29 | 12-41 | 14-43 | | |
| | 22 | | 12-56 | 12-48 | 12-48 | 12-54 | 14-56 | 12-54 | | 14-56 | 12-46 | | 12-38 | 12-32 | 12-44 | 14-46 | | |
| | 24 | | 12-63 | 12-50 | 12-50 | 12-61 | 14-63 | 12-61 | | 14-63 | 12-56 | | 12-46 | 12-40 | 12-54 | 14-56 | | |
| | 25 | | 12-63 | 12-50 | 12-50 | 12-61 | 14-63 | 12-61 | | 14-63 | 12-59 | | 12-49 | 12-43 | 12-57 | 14-59 | | |
| | 26 | | 12-63 | 12-50 | 12-50 | 12-61 | 14-63 | 12-61 | | 14-63 | 12-59 | | 12-49 | 12-43 | 12-57 | 14-59 | | |
| BBSB BBSN BBSS | 28 | T10300 | B | 12-68 | 12-57 | 12-50 | 12-66 | 14-68 | 3.0 ≤ J ≤ L-3.0 | 12-66 | 14-68 | 3-17 S+T ≤ W-3 | 12-66 | 12-56 | 12-48 | 12-64 | 14-66 | |
| | 30 | | 12-76 | 12-65 | 12-55 | 12-74 | 14-76 | 12-74 | | 14-76 | 12-71 | | 12-61 | 12-50 | 12-69 | 14-71 | | |
| | 32 | | 20-80 | 20-70 | 20-55 | 20-80 | 22-82 | 20-80 | | 22-82 | 20-80 | | 20-65 | 20-55 | 20-79 | 22-81 | | |
| | 34 | | 20-80 | 20-70 | 20-55 | 20-80 | 22-92 | 20-80 | | 22-92 | 20-84 | | 20-70 | 20-55 | 20-82 | 22-86 | | |
| | 36 | | 20-85 | 20-70 | 20-55 | 20-83 | 22-94 | 20-83 | | 22-94 | 20-85 | | 20-70 | 20-55 | 20-83 | 22-91 | | |
| | 40 | | 20-85 | 20-70 | 20-55 | 20-83 | 22-95 | 20-83 | | 22-95 | 20-85 | | 20-70 | 20-55 | 20-83 | 22-95 | | |
| | 44 | | 20-85 | 20-70 | 20-55 | 20-83 | 22-95 | 20-83 | | 22-95 | 20-85 | | 20-70 | 20-55 | 20-83 | 22-95 | | |
| | 48 | | 20-85 | 20-70 | 20-55 | 20-83 | 22-95 | 20-83 | | 22-95 | 20-85 | | 20-70 | 20-55 | 20-83 | 22-95 | | |
| | 50 | | 20-85 | 20-70 | 20-55 | 20-83 | 22-95 | 20-83 | | 22-95 | 20-85 | | 20-70 | 20-55 | 20-83 | 22-95 | | |

訂貨： - - - - - - - - 交期: 天

(軸孔規格:H·P·N)

(軸孔規格:V)

(軸孔規格:Y)

BBSW16T10500 - A - H10
 BBSW40T10500 - B - V20 - Z38 - J23.5
 BBSW28T10250 - A - Y25 - Q37 - R37 - S7 - T7